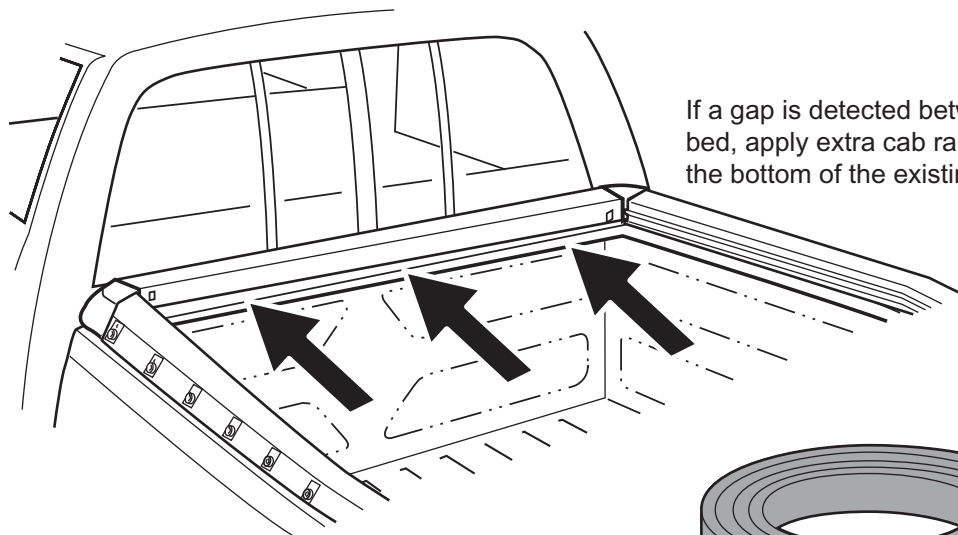
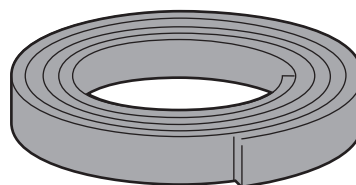


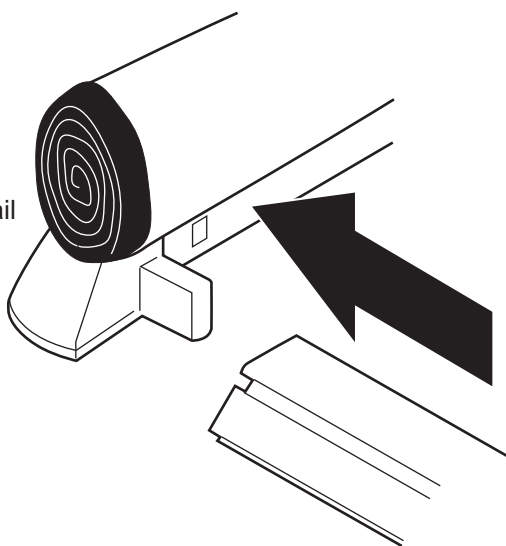
SUPPLEMENT TO INSTALLATION INSTRUCTIONS FOR
CAB RAIL FOAM SEAL



If a gap is detected between the cab rail and truck bed, apply extra cab rail foam seal (included) to the bottom of the existing cab rail seal.



Disconnect the cab rail from the side rails



Make sure the cab rail seal surface is clean and free of dirt. Apply the seal adhesive side directly to the existing cab rail seal.

